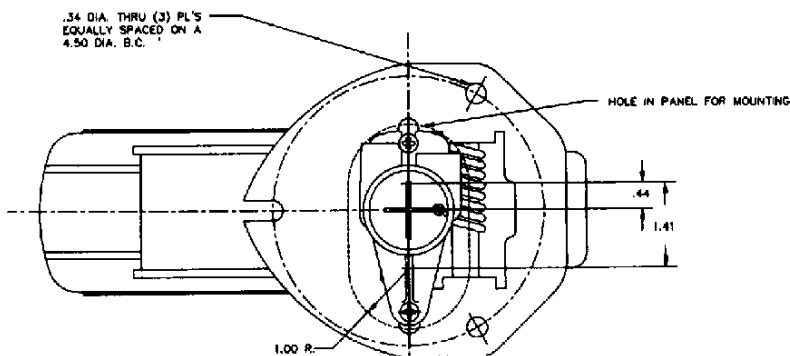
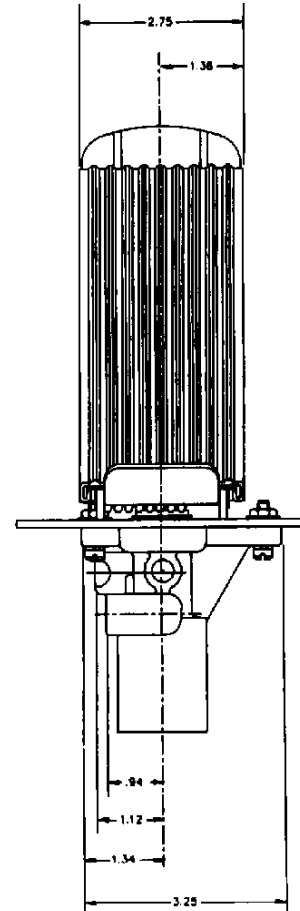
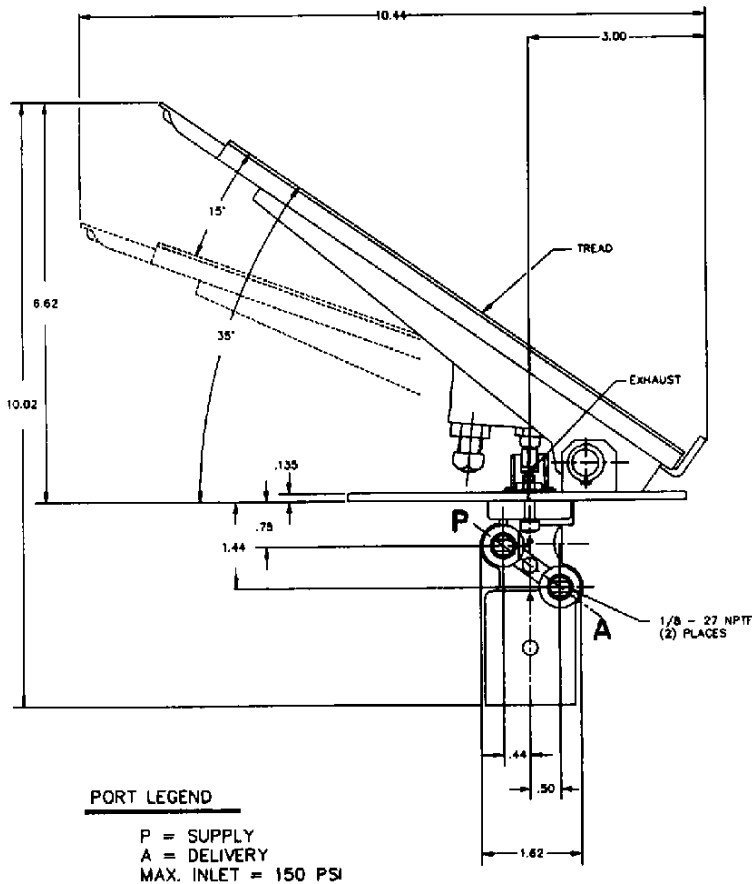


Pressure Control Valves

"M" Plus™ Pressure Control Valves

Rexroth
Bosch Group

M-1 Pedal Actuated



| | | |
|----------|-----------|---------|
| P26716-2 | 0-100 PSI | W/PEDAL |
| P26716-1 | 0-60 PSI | TREAD |
| PC. NO. | RATING | REMARKS |