

Pressure Control Valves

"M" Plus™ Pressure Control Valves

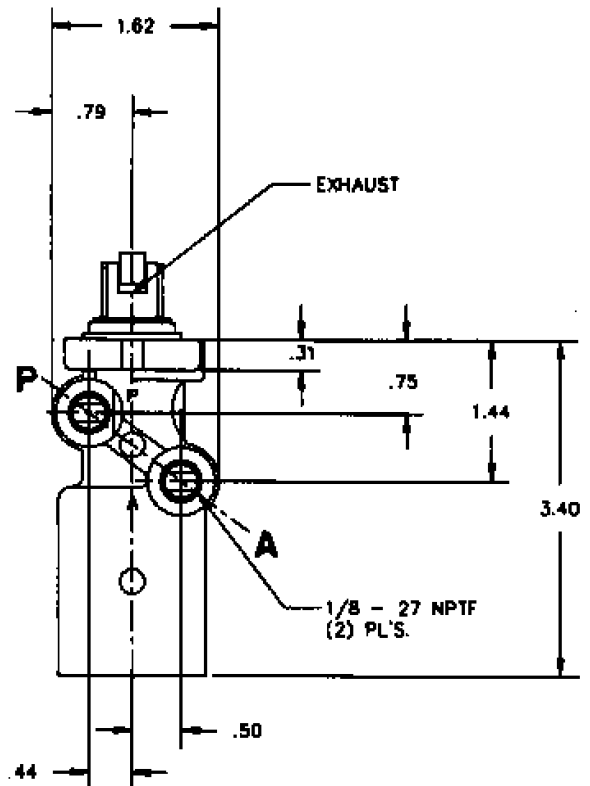
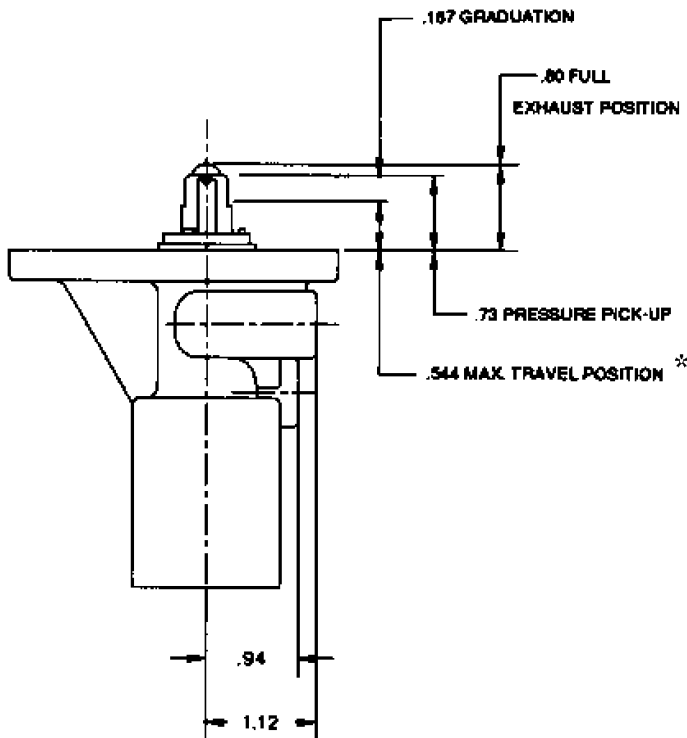
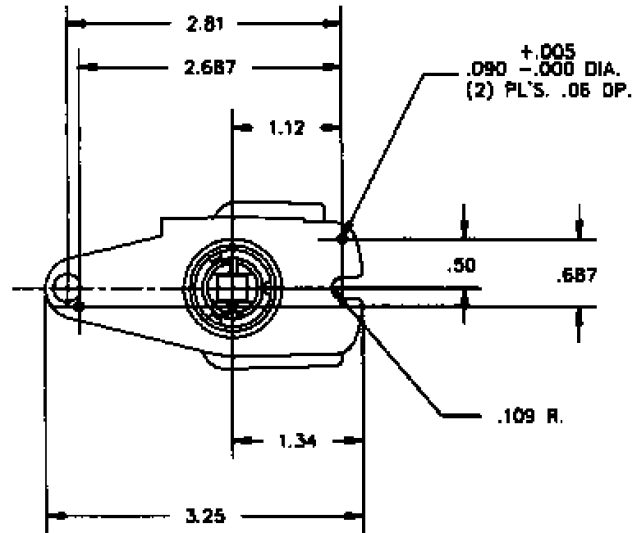
Rexroth
Bosch Group

M-5 Mechanically Operated

P26718-2	0-100 PSI
P26718-1	0-60 PSI
PC. NO.	RATING

PORT LEGEND

P = SUPPLY
A = DELIVERY
MAX. INLET = 150 PSI



*Travel beyond this position can result in over pressure with possible valve damage.